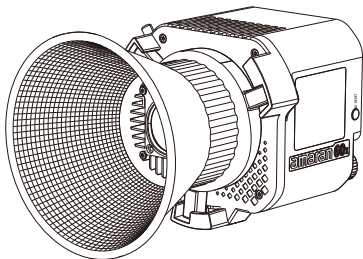


amaran



amaran 60x

Product Manual

English

Foreword

Thank you for purchasing "amaran" series of LED photography lights - amaran 60x.

amaran 60x is amaran series of newly designed high cost performance lamps. Compact structure design, compact and light, excellent texture. Has a high performance level, such as high brightness, high indication, can adjust the brightness, etc. It can be used with the existing Bowens Mount lighting accessories to achieve a variety of lighting effects and enrich product usage patterns. So that the product to meet the needs of different occasions light control, easy to achieve professional level photography.

IMPORTANT SAFETY INSTRUCTIONS

When using this unit, basic safety precautions should always be followed, including the following:

1. Read and understand all instructions before using.
2. Close supervision is necessary when any fixture is used by or near children. Do not leave the fixture unattended while in use.
3. Care must be taken as burns can occur from touching hot surfaces.
4. Do not operate the fixture if a cord is damaged, or if the fixture has been dropped or damaged, until it has been examined by qualified service personnel.
5. Position any power cables such that they will not be tripped over, pulled, or put into contact with hot surfaces.
6. If an extension cord is necessary, a cord with an amperage rating at least equal to that of the fixture should be used. Cords rated for less amperage than the fixture may overheat.
7. Always unplug the lighting fixture from the electrical outlet before cleaning and servicing, or when not in use. Never yank the cord to remove the plug from the outlet.

8. Let the lighting fixture cool completely before storing.
9. To reduce the risk of electric shock, do not immerse this fixture in water or any other liquids.
10. To reduce the risk of fire or electric shock, do not disassemble this fixture. Contact cs@aputure.com or take it to qualified service personnel when service or repair work is required. Incorrect reassembly may cause electric shock when the lighting fixture is in use.
11. The use of an accessory attachment not recommended by the manufacturer may increase the risk of fire, electric shock, or injury to any persons operating the fixture.
12. Power this fixture by connecting it to a grounded outlet.
13. Please remove the protective cover before powering on the light.
14. Please remove the protection cover before using the reflector.
15. Please do not block the ventilation and do not look at the light directly when it is powered on.
16. Please do not place the LED lighting fixture near any liquids or other flammable objects.
17. Only use a dry microfiber cloth to clean the product.
18. Please have the product checked by an authorized service personnel agent if your product has a problem.
19. The malfunctions caused by unauthorized disassembly are not covered under the warranty.
20. We recommend only using the original Aputure cable accessories. Please note that our warranty for this product does not apply to any repairs required due to any malfunctions of unauthorized Aputure accessories, although you may request such repairs for a fee.



21. This product is certified by RoHS, CE, KC, PSE, and FCC. Please operate the product in full compliance with the operation standards. Please note that this warranty does not apply to repairs arising from malfunctions, although you may request such repairs on a chargeable basis.
22. The instructions and information in this manual are based on thorough, controlled company testing procedures. Further notice will not be given if the design or specifications change.

SAVE THESE INSTRUCTIONS

FCC Compliance Statement

This device complies with Part 15 of the FCC Rules. Operation is subject to the following two conditions:

- (1) This device may not cause harmful interference.
- (2) This device must accept any interference received, including interference that may cause undesired operation.

Warning: Changes or modifications not expressly approved by the party responsible for compliance could void the user's authority to operate the equipment.

NOTE: This equipment has been tested and found to comply with the limits for a Class B digital device, pursuant to Part 15 of the FCC Rules. These limits are designed to provide reasonable protection against harmful interference in a residential installation. This equipment generates, uses, and can radiate radio frequency energy and, if not installed and used in accordance with the instructions, may cause harmful interference to radio communications. However, there is no guarantee that interference will not occur in a particular installation. If this equipment does cause harmful interference to radio or television reception, which can be determined by turning the equipment off and on, the user is encouraged to try reorient or relocate the receiving antenna.

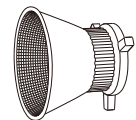
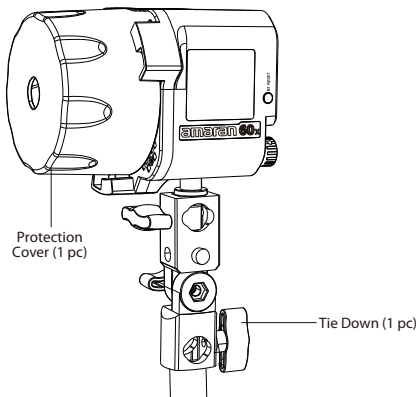
- Increase the separation between the equipment and receiver.
- Connect the equipment to an outlet on a different circuit than the receiver is connected to.
- Consult the dealer or an experienced radio/TV technician for help.

RF Warning Statement:

This device has been evaluated to meet general RF exposure requirements.

Check list

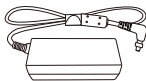
When you unbox the product, please make sure all the items listed below are included. Otherwise, please contact the seller immediately.



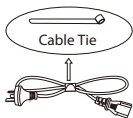
Bowens Mount
Mini Reflector (1 pc)



Battery case(1 pc)



Adapter (1 pc)

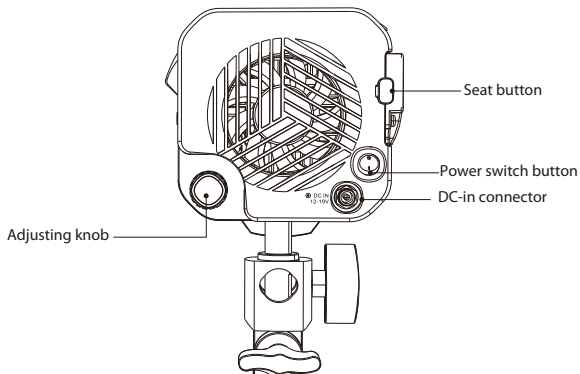
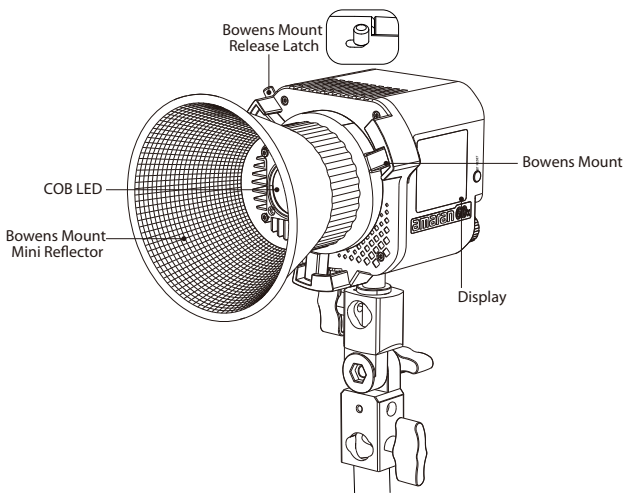


AC Power cable(4m) (1 pc)

Tips: The illustrations in the manual are only diagrams for reference. Due to the continuous development of new versions of the product, if there are any differences between the product and the user manual diagrams, please refer to the product itself.

Product Details

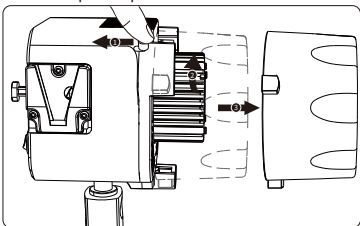
1. Light



Installations

1. Attaching/detaching the protection cover

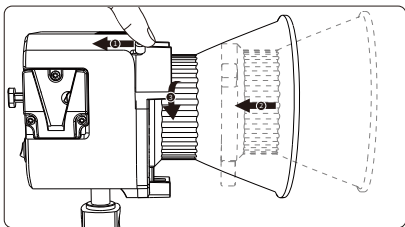
Push the handle of the lever in the direction of the arrow shown in the picture, and rotate the cover to pull it out. Reverse rotation will put the protective cover into.



** Notice: Always remove the protection cover prior to turning on the light. Always re-install the cover when packing it away.*

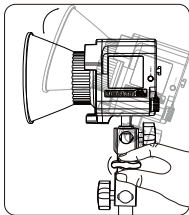
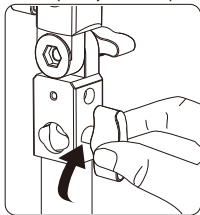
2. Installation and removal of Bowens Mount Mini Reflector

Push the lever handle according to the arrow direction shown in the picture, and rotate the Bowens Mount Mini Reflector into it. Rotating in the opposite direction pulls out the Bowens Mount Mini Reflector.



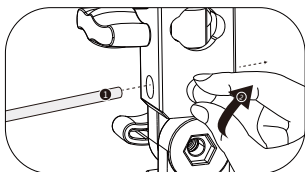
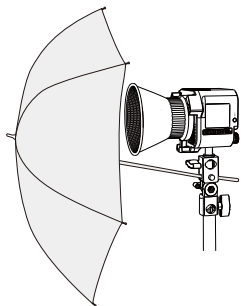
3. Setting up the Light

Adjust the lamp body to the appropriate height, rotate tie-down to fix the lamp body on the tripod, then adjust the lamp body to the required angle, and tighten the lock handle.



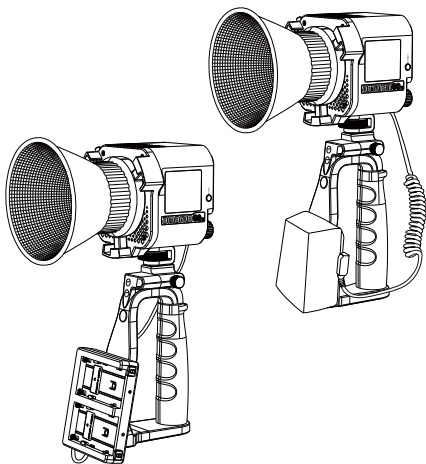
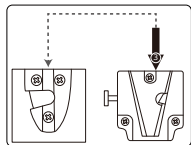
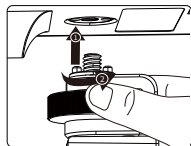
4. Soft light umbrella installation

Insert the soft light handle into the hole and lock the lock knob on the hole.



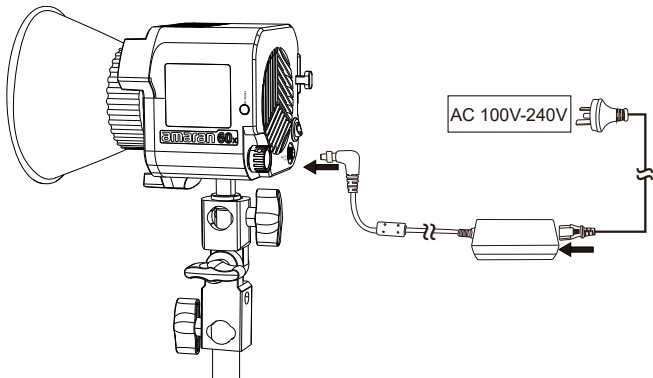
5. Battery handle installation

Tighten the lamp body and the battery handle via 1/4 screw, then attach the battery plate or V-mount battery to the handle with the V-mount lock.



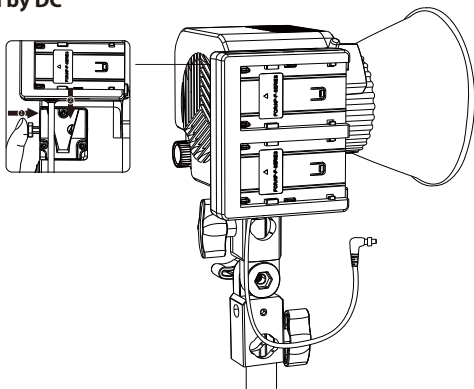
The power supply

Powered by AC



** Please press the spring-loaded lock button on the power cord to remove the power cord. Do not pull it out forcibly.*

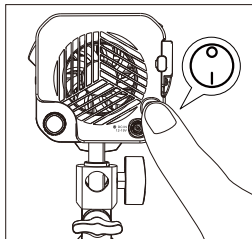
Powered by DC



**The batteries are not included. Please press the spring-loaded lock button on the battery plate to remove the power cord. Do not pull it out forcibly.*

Operations

1. Press the power button to turn the light on and off



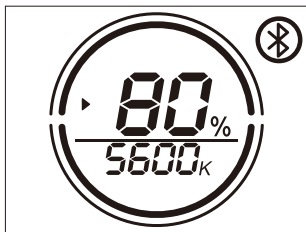
2. Manual control

Press the knob for 1.5 second to switch the function between INT/CCT adjustment.

Brightness adjustment:

a. Rotate the INT adjusting knob to adjust the brightness with 1% variable, and the brightness change range is (0-100) %, and display the change of (0-100) % in real time on the LIGHT body OLED display.

b. Click the INT adjustment knob to quickly switch the brightness level: 20%→40%→60%→80%→100%→20%→40%→60%→80%→100% cycle switch.



CCT adjustment:

a. rotate the knob to adjust the CCT with 100K variable and the CCT range is 2700K~6500K and display the change of 2700K~6500K in real time on the LIGHT body OLED display.

b. Click the knob to quickly switch the CCT: 2700k→3200k→4300k→5600k→6500k cycle switch.



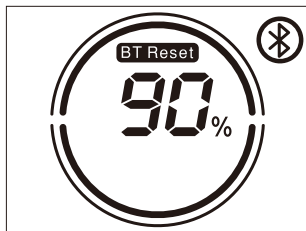
3. Wireless mode adjustment

The user can connect the light body named amaran 60x-xxxxxx through the bluetooth of the mobile phone or tablet (Bluetooth serial number). At this time, the light body can be controlled wirelessly through the mobile phone or tablet. When the light effect is controlled by APP, the word "FX" is displayed in the upper left corner of LCD. In wireless mode, 9 lighting effects can be controlled through App: paparazzi, fireworks, faulty bulb, lightning, TV, pulse, flash, explosion and Fire. And App can control all kinds of light effect, brightness, frequency.

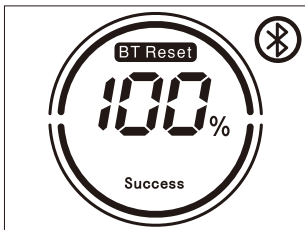
4. Reset Bluetooth

4.1 Long press the Bluetooth Reset button to reset bluetooth.

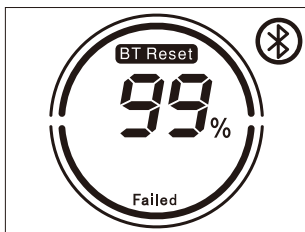
4.2 During the Reset process, the LCD displays BT Reset and the Bluetooth icon is flashing, and the percentage shows the current Reset progress (1%-50%-100%).



4.3 The LCD will display [Success] 2 seconds after the Bluetooth reset is successful.



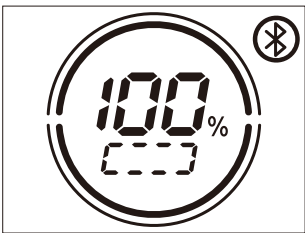
4.4 If the Bluetooth reset is unsuccessful, the LCD will display [Failed] and disappear after 2 seconds.



4.5 After resetting the light's Bluetooth connection, your mobile phone or tablet will be able to connect to and control the light.

5. OTA mode

Firmware updates can be updated online via the Sidus Link App for OTA updates.



6. Using the Sidus Link APP

You can download the Sidus Link App from the iOS App Store or Google Play Store for enhancing the functionality of the light. Please visit sidus.link/app/help for more details regarding how to use the app to control your Aputure lights.



Get Sidus Link® App



[Sidus.link/app/help](https://sidus.link/app/help)

Specifications

Light Operating Current	4A	Power Consumption	76W
Light Operating Voltage	19V	Cooling Mode	Active Cooling
Adapter Power Supply	100v~240v,50/60Hz	APP Control Type	Bluetooth
TLCI	≥96	Remote Ability	≤80m
CRI	≥96	Radio Frequency	2.4GHz
CCT	2700K~6500K		
Sizes (L*W*H)	11.7* 11.1 *11.1cm/4.60*4.37*4.37in		

Photometrics

CCT	Distance Illumination	0.5m	1m	3m	5m
	2700K	Bare Bulb	7990lux/742fc	2155lux/200fc	245lux/22fc
Hyper-Reflector		103100lux/9578fc	30800lux/2861fc	3100lux/288fc	850lux/79fc
3200K	Bare Bulb	7950lux/738fc	2126lux/197fc	243lux/23fc	98lux/9.1fc
	Hyper-Reflector	103500lux/9615fc	30950lux/2875fc	3132lux/291fc	856lux/80fc
4300K	Bare Bulb	8347lux/775fc	2241lux/208fc	256lux/24fc	103lux/10fc
	Hyper-Reflector	110925lux/10304fc	33250lux/3089fc	3367lux/313fc	1177lux/109fc
5600K	Bare Bulb	8830lux/820fc	2374lux/221fc	270lux/25fc	108lux/10fc
	Hyper-Reflector	118875lux/11043fc	35700lux/3316fc	3622lux/336fc	1265lux/118fc
6500K	Bare Bulb	9277lux/862fc	2508lux/233fc	284lux/26fc	114lux/11fc
	Hyper-Reflector	125925lux/11698fc	37775lux/3510fc	3832lux/356fc	1338lux/124fc

** This is an averaged result, the number might be slightly different on each light.*

Modifiers compatibility description:

amaran 60x is compatible with the following light weight accessories :
Aputure Light Dome SE, Light Dome Mini II, Aputure Lantern.

The load-bearing capacity of amaran 60x Bowens Mount is limited (maximum load \leq 2.5kg). Do not use heavy-duty modifiers. Please note that our warranty for this product does not apply to any repairs required due to any malfunctions of unauthorized accessories, although you may request such repairs for a fee.

* For more accessory compatibility, please visit the following website:



Trademarks

Bowens is a trademark registered by Bowens in China and other countries.